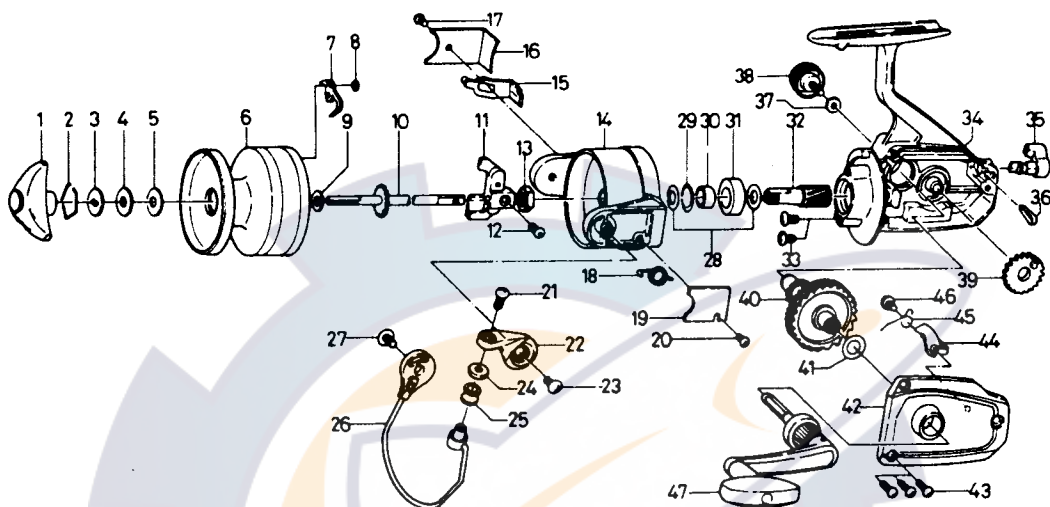




SPINNING REEL 250X



Key No. 2-8
K02-4703 Spool Assembly*

Key No.	Parts No.	Parts Name	Key No.	Parts No.	Parts Name
1	B60-1401	Drag knob	24	501-2003	Line roller washer
2	170-4511	Drag washer retainer	25	250-4501	Line roller
3	B60-1301	Key washer	26	B19-7703	Bail*
4	372-7701	Drag washer	27	352-1103	Bail holder screw
5	150-8401	Drag spring washer	28	371-2822	Pinion washer A
6	K08-5602	Spool	29	372-8600	Pinion washer B
7	030-4511	Click pawl	30	501-5101	Pinion collar
8	B13-0601	Click retainer	31	636-2611	Shaft metal
9	373-6802	Spool washer	32	402-4511	Pinion gear
10	B19-7901	Main shaft	33	353-8202	Shaft metal screw
11	481-2211	Oscillating slider	34	K10-2604	Body*
12	351-8901	Oscillating slider screw	35	B66-2301	Anti-reverse lever
13	B10-5701	Rotor nut	36	B11-4303	Anti-reverse lever spring
14	B19-7107	Rotor*	37	371-9522	Handle lock washer
15	B19-7502	Bail trip lever	38	K10-2402	Handle screw cap
16	B19-7603	Bail trip lever cover*	39	413-2212	Oscillating gear
17	352-0402	Bail trip lever cover screw	40	K10-2901	Drive gear
18	K01-0501	Bail spring*	41	371-2800	Drive gear washer
19	B19-7403	Bail spring cover	42	K10-3004	Side cover*
20	352-0402	Bail spring cover screw	43	351-5904	Side cover screw
21	B11-2801	Line roller screw	44	110-9622	Anti-reverse pawl
22	B19-7303	Bail arm	45	144-2801	Anti-reverse pawl spring
23	352-1103	Bail arm screw	46	351-6102	Anti-reverse pawl screw
			47	K10-3201	Handle

* 1988 REEL MODEL